



Out Door Basic CE

1. Fast & Silent Motion

- Lightning Speed : MAX. 300°/sec
- Smooth Manual speed: MIN. 0.1°/sec
- Lowest Noise & Lowest Vibration
- Endless 342° Pan Rotation
- Shortest Path by Vector Drive Technology
- High Accuracy with Micro-Stepping

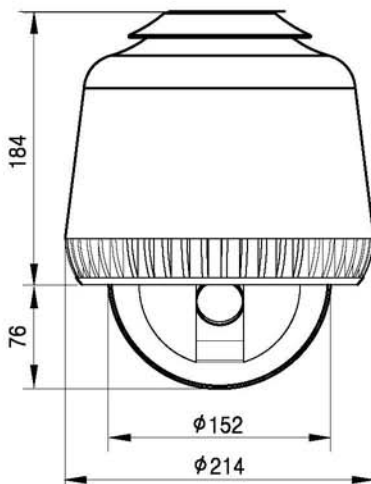
2. Superior Zoom Camera

- X220 Zoom Control (Optical X22, Digital X10)
- Day & Night (IR Cut Filter)

3. Powerful Functions

- 64 Preset Positions with Alphanumeric Labels
- Group and Swing Functions
- Alarm In/Out (8 In / 4 Out) support
- Small Size (ø214)
- IP66 Weather proof and Built-in Fan & Heater
- Network Video Function (Optional)

Model	CE-N22DC	CE-P22DC	CE-N22CC	CE-P22CC
Signal Format	NTSC	PAL	NTSC	PAL
Camera	Device 1/4" SONY Super HAD CCD			
	Effective Pixel	380K Pixels [768(H) x 494(V)]	440K Pixels [752(H) x 582(V)]	380K Pixels [768(H) x 494(V)]
	H. Resolution	480 TV Lines		
	S/N Ratio	More than 48dB (AGC Off)		
	Zoom	X22 Optical Zoom and X10 Digital Zoom		
	Focal Length	F1.6, f=3.9~85.8mm		
	MIN. Illuminance	1.0 Lux (Day) / 0.001 Lux (Night DSS),		1.0 Lux
	Day & Night	Auto / Day / Night		None
	Focus	Auto / Manual		
	Iris	Auto		
	White Balance	Auto / Manual / Indoor / Outdoor		
	BLC	On / Off		



Model	CE-*****	
Pan/Tilt	Range	Pan : 342° / Tilt : 90°
	Pan/Tilt Speed	Preset : 300° / sec
		Manual : 0.1° ~ 90° / sec (Zoom Proportional)
		Swing : 15° ~ 60° / sec (Zoom Proportional)
	Preset	64 Presets with Labels
	Swing	8 Swings
Group	8 Groups (MAX. 20 Entries)	
General	Communication	RS-485
	Protocol	Pelco-D, Pelco-P Selectable
	Sensor In/Out	8 Input / 4 Output
	OSD	English On / Off
	Fan/Heater	Built-in
	Power	DC 12V / 2.5A
	Dimension	Dome : ø152
		Housing : 214(ø) x 260(H) mm / 8.42"(ø) x 10.23" (H)
	Weight	Approx. 2.5Kg / 5.5 Lbs
	Operating	-30°C ~ 50°C / -22°F ~ 122°F